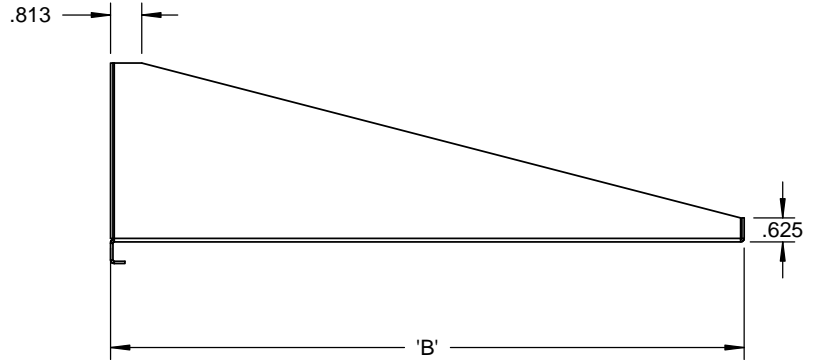
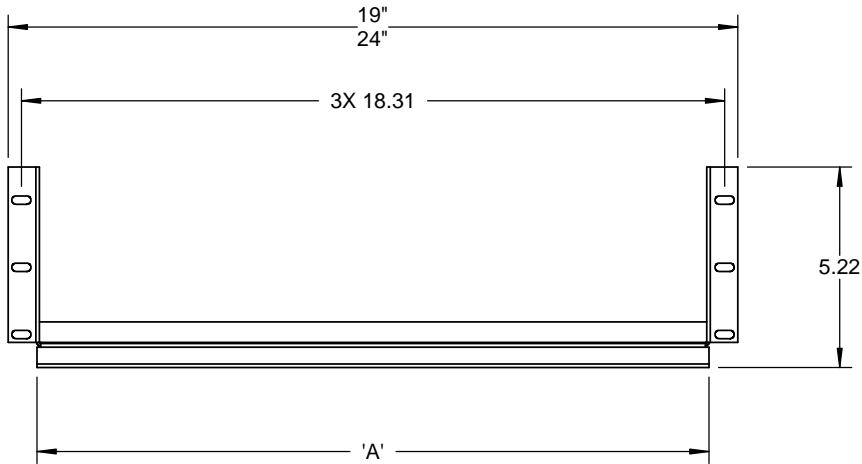
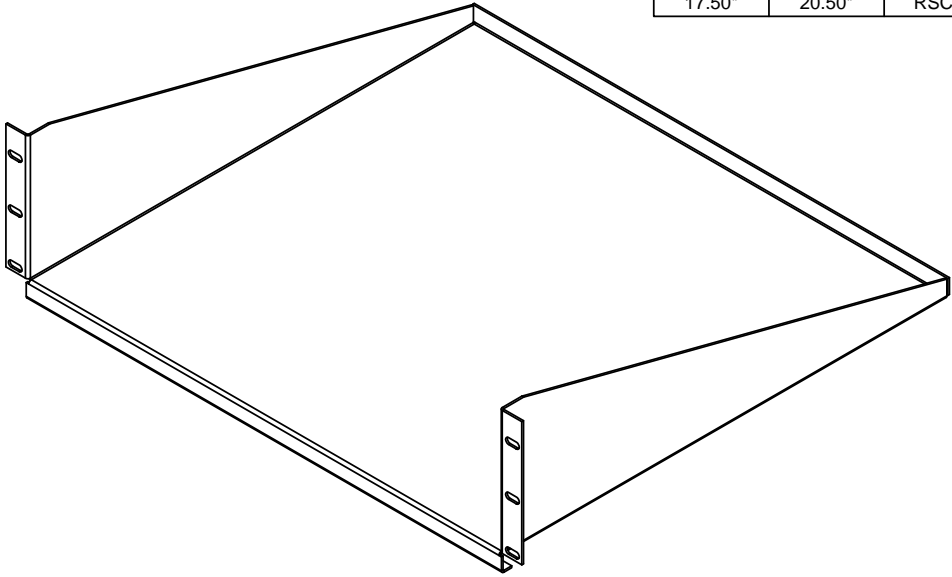


19 INCH PANEL WIDTH			24 INCH PANEL WIDTH		
DIM 'A'	DIM 'B'	CATALOG NUMBER	DIM 'A'	DIM 'B'	CATALOG NUMBER
17.50"	16.50"	RSC-1917	22.50"	16.50"	RSC-2417
17.50"	20.50"	RSC-1923	22.50"	20.50"	RSC-2423



PROPRIETARY AND CONFIDENTIAL  
 THIS DRAWING EMBODIES A CONFIDENTIAL PROPRIETARY DESIGN OWNED BY  
 PREMIER ENCLOSURE SYSTEMS AND ALL DESIGN, MANUFACTURING, REPRODUCTION,  
 USE AND SALES RIGHTS REGARDING THIS DRAWING ARE RESERVED TO PREMIER  
 ENCLOSURE SYSTEMS. THE RECIPIENT OF THIS DRAWING ASSUMES CUSTODY  
 THEREOF AND AGREES THAT THE INFORMATION CONTAINED HEREIN SHALL NOT BE  
 USED, DUPLICATED OR DISCLOSED TO REPRODUCE ARTICLES OR SUBJECT MATTER  
 THEREIN WITHOUT WRITTEN PERMISSION OF PREMIER ENCLOSURE SYSTEMS.

DRAWING NO  
**RSC-XXXX**

TITLE  
**CANTILEVERED SHELVES**

FINISH  
**POWDER COAT**

MATERIAL  
**16 GA STEEL**

REV DATE  
**11/04/13**

**SHEET 1 OF 1**