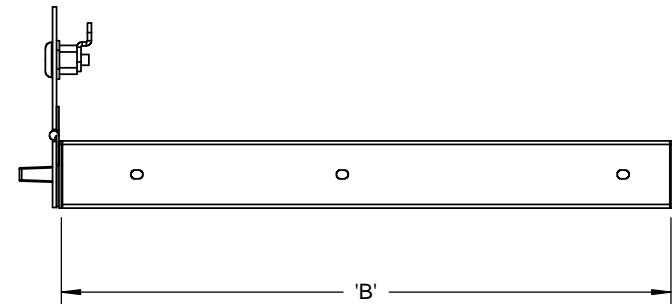
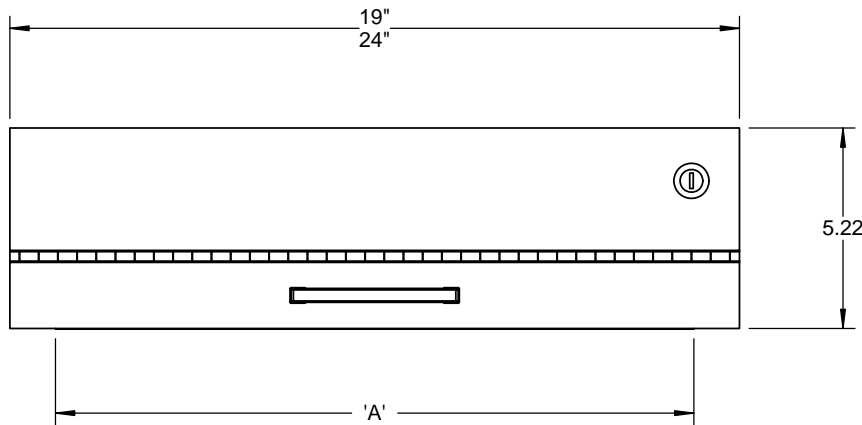
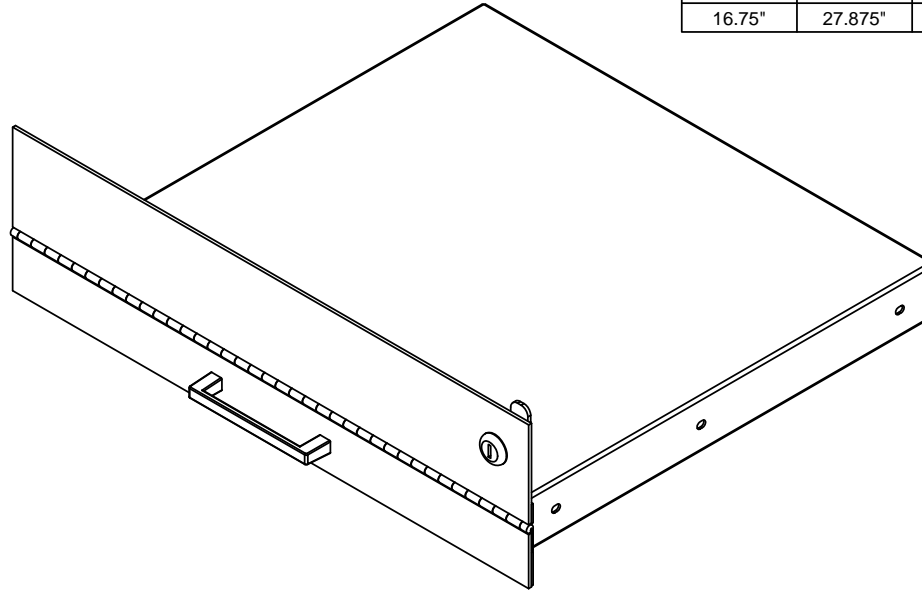


19 INCH PANEL WIDTH			24 INCH PANEL WIDTH		
DIM 'A'	DIM 'B'	CATALOG NUMBER	DIM 'A'	DIM 'B'	CATALOG NUMBER
16.75"	15.875"	RSK-1917	21.75"	15.875"	RSK-2417
16.75"	21.875"	RSK-1923	21.75"	21.875"	RSK-2423
16.75"	23.875"	RSK-1926	21.75"	23.875"	RSK-2426
16.75"	27.875"	RSK-1929	21.75"	27.875"	RSK-2429



PROPRIETARY AND CONFIDENTIAL
 THIS DRAWING EMBODIES A CONFIDENTIAL PROPRIETARY DESIGN OWNED BY
 PREMIER ENCLOSURE SYSTEMS AND ALL DESIGN, MANUFACTURING, REPRODUCTION,
 USE AND SALES RIGHTS REGARDING THIS DRAWING ARE RESERVED TO PREMIER
 ENCLOSURE SYSTEMS. THE RECIPIENT OF THIS DRAWING ASSUMES CUSTODY
 THEREOF AND AGREES THAT THE INFORMATION CONTAINED HEREIN SHALL NOT BE
 USED, DUPLICATED OR DISCLOSED TO REPRODUCE ARTICLES OR SUBJECT MATTER
 THEREIN WITHOUT WRITTEN PERMISSION OF PREMIER ENCLOSURE SYSTEMS.

DRAWING NO
RSK-XXXX
 TITLE
SLIDING KEYBOARD SHELVES

FINISH
POWDER COAT
 MATERIAL
16 GA STEEL

REV DATE
11/04/13
SHEET 1 OF 1