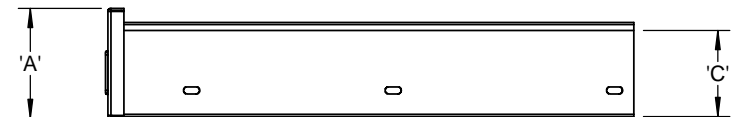
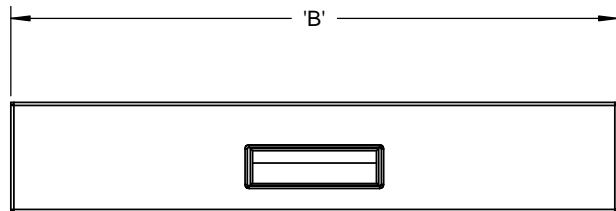
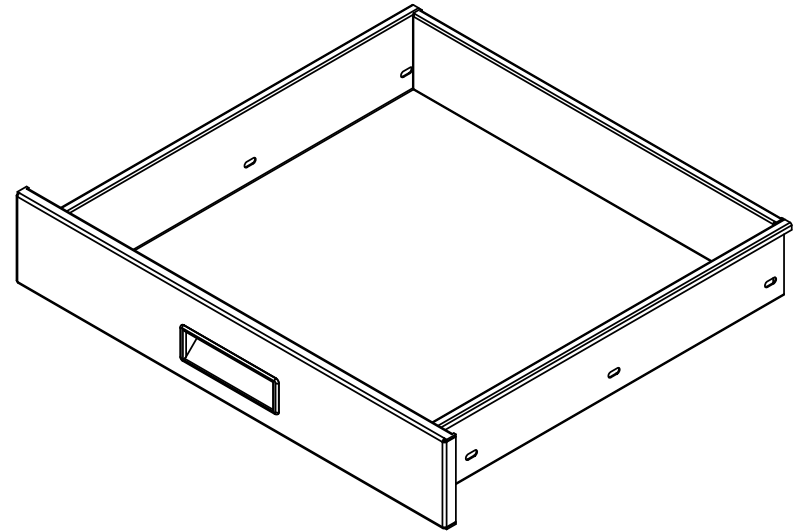
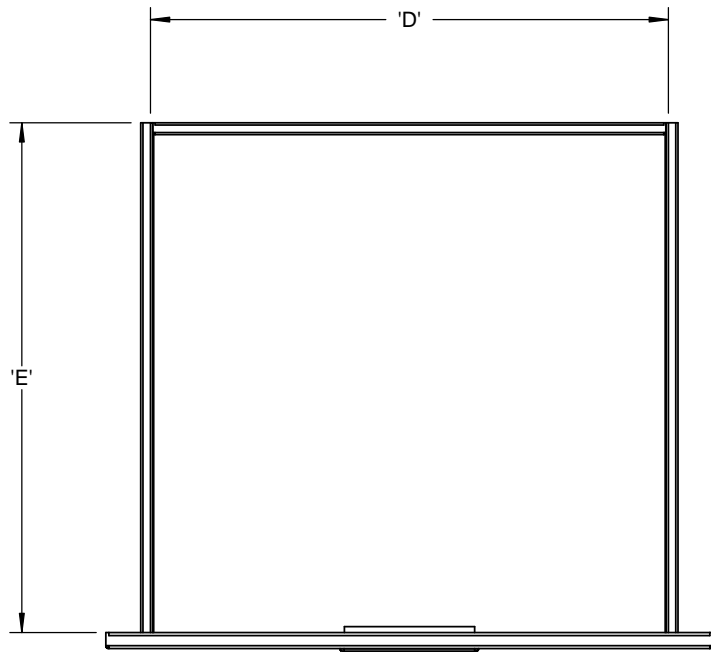


FRONT PANEL SIZE		DRAWER DIMENSIONS			CATALOG NUMBER
DIM 'A'	DIM 'B'	DIM 'C'	DIM 'D'	DIM 'E'	
3.5"	19"	2.69"	16.12"	16"	TDR-319
7"	19"	6"	16.12"	16"	TDR-719
10.5"	19"	6"	16.12"	16"	TDR-1019
3.5"	24"	2.69"	21.12"	16"	TDR-324
7"	24"	6"	21.12"	16"	TDR-724
10.5"	24"	6"	21.12"	16"	TDR-1024



PROPRIETARY AND CONFIDENTIAL
THIS DRAWING EMBODIES A CONFIDENTIAL PROPRIETARY DESIGN OWNED BY
PREMIER ENCLOSURE SYSTEMS AND ALL DESIGN, MANUFACTURING, REPRODUCTION,
USE AND SALES RIGHTS REGARDING THIS DRAWING ARE RESERVED TO PREMIER
ENCLOSURE SYSTEMS. THE RECIPIENT OF THIS DRAWING ASSUMES CUSTODY
THEREOF AND AGREES THAT THE INFORMATION CONTAINED HEREIN SHALL NOT BE
USED, DUPLICATED OR DISCLOSED TO REPRODUCE ARTICLES OR SUBJECT MATTER
THEREIN WITHOUT WRITTEN PERMISSION OF PREMIER ENCLOSURE SYSTEMS.

DRAWING NO	TDR-XXXX	FINISH	POWDER COAT	REV DATE	11/08/13
TITLE	SLIDING DRAWERS	MATERIAL	16 & 20 GA STEEL	SHEET 1 OF 1	