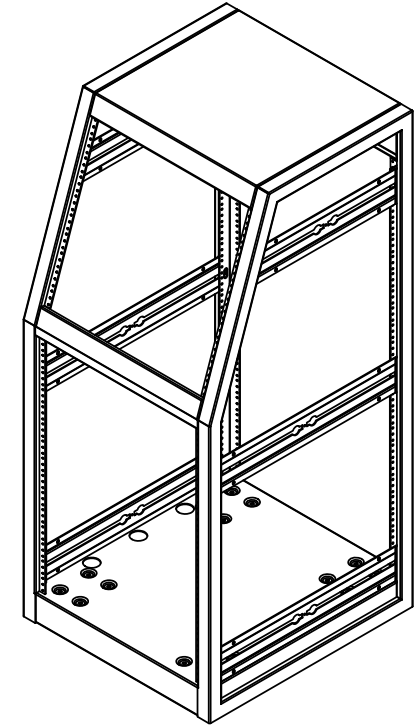
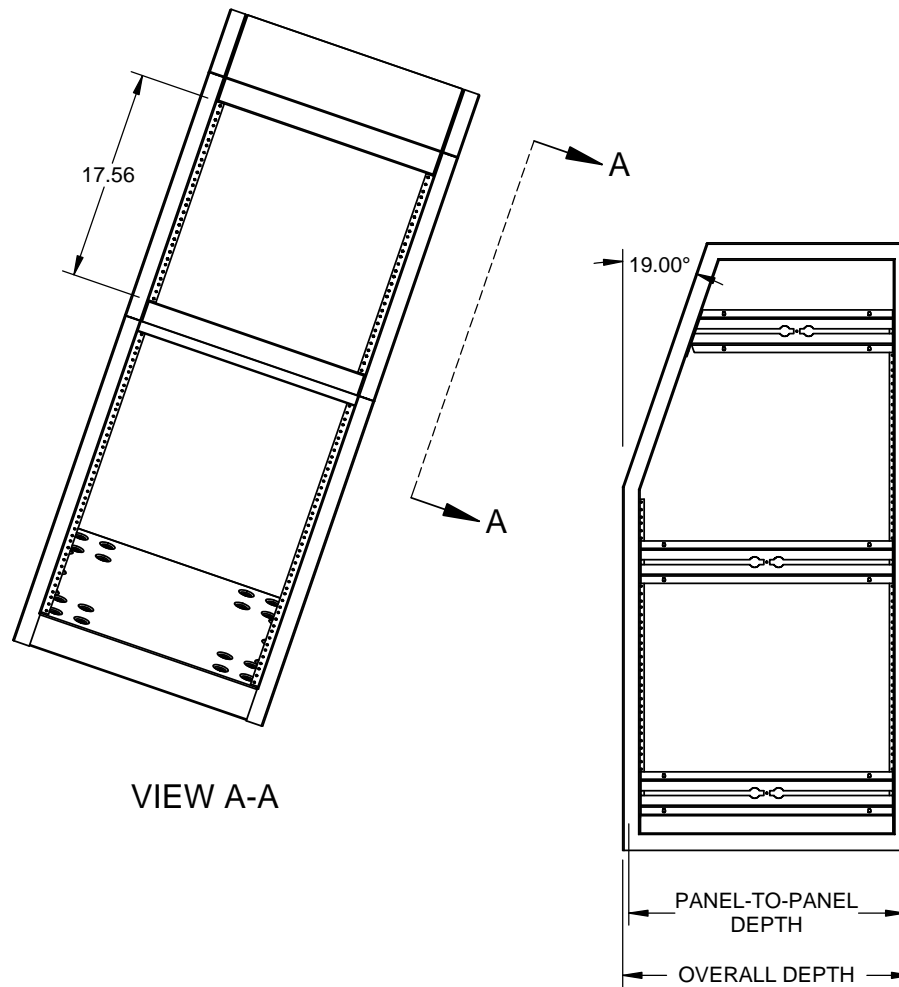
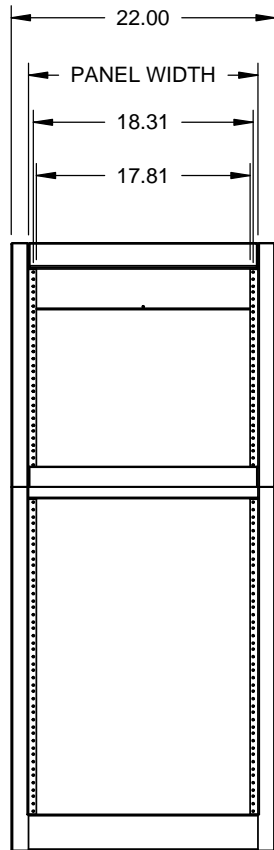


| SLOPED PANEL HEIGHT | 19 INCH PANEL WIDTH: PANEL-TO-PANEL DEPTH (OVERALL) | | 24 INCH PANEL WIDTH: PANEL-TO-PANEL DEPTH (OVERALL) | |
|---------------------------|---|-------------|---|-------------|
| | (24") | (30") | (24") | (30") |
| 17.56" | SSF-1719-23 | SSF-1719-29 | SSF-1724-23 | SSF-1724-29 |



PROPRIETARY AND CONFIDENTIAL
THIS DRAWING EMBODIES A CONFIDENTIAL PROPRIETARY DESIGN OWNED BY
PREMIER ENCLOSURE SYSTEMS AND ALL DESIGN, MANUFACTURING, REPRODUCTION,
USE AND SALES RIGHTS REGARDING THIS DRAWING ARE RESERVED TO PREMIER
ENCLOSURE SYSTEMS. THE RECIPIENT OF THIS DRAWING ASSUMES CUSTODY
THEREOF AND AGREES THAT THE INFORMATION CONTAINED HEREIN SHALL NOT BE
USED, DUPLICATED OR DISCLOSED TO REPRODUCE ARTICLES OR SUBJECT MATTER
THEREIN WITHOUT WRITTEN PERMISSION OF PREMIER ENCLOSURE SYSTEMS.

DRAWING NO
SSF-17XX-XX
TITLE
SPARTAN SLOPE FRAME-22" W

FINISH
POWDER COAT
MATERIAL
14 GA STEEL

REV DATE
10/07/13
SHEET 1 OF 1