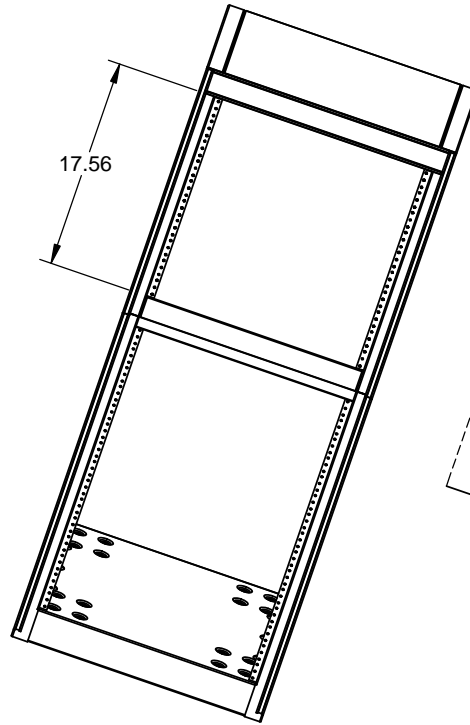
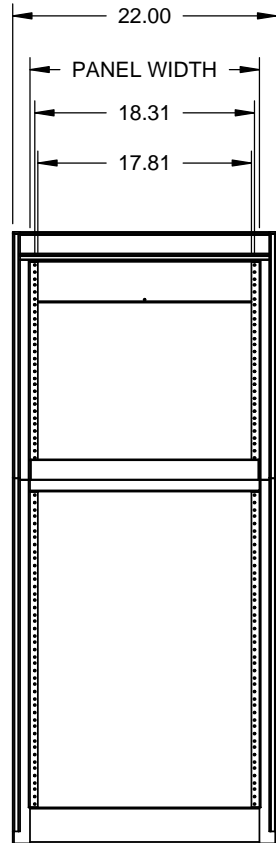
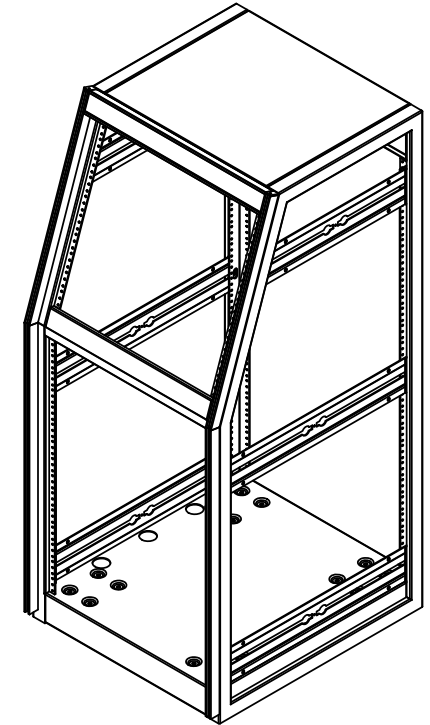
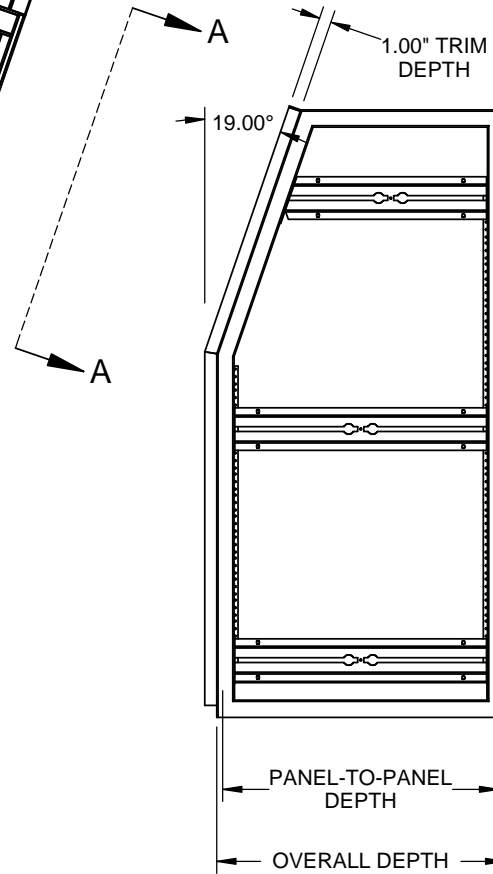


SLOPED PANEL HEIGHT	19 INCH PANEL WIDTH: PANEL-TO-PANEL DEPTH (OVERALL)		24 INCH PANEL WIDTH: PANEL-TO-PANEL DEPTH (OVERALL)	
	(24")	(30")	(24")	(30")
17.56"	TSF-1719-23	TSF-1719-29	TSF-1724-23	TSF-1724-29



VIEW A-A



PROPRIETARY AND CONFIDENTIAL
 THIS DRAWING EMBODIES A CONFIDENTIAL PROPRIETARY DESIGN OWNED BY
 PREMIER ENCLOSURE SYSTEMS AND ALL DESIGN, MANUFACTURING, REPRODUCTION,
 USE AND SALES RIGHTS REGARDING THIS DRAWING ARE RESERVED TO PREMIER
 ENCLOSURE SYSTEMS. THE RECIPIENT OF THIS DRAWING ASSUMES CUSTODY
 THEREOF AND AGREES THAT THE INFORMATION CONTAINED HEREIN SHALL NOT BE
 USED, DUPLICATED OR DISCLOSED TO REPRODUCE ARTICLES OR SUBJECT MATTER
 THEREIN WITHOUT WRITTEN PERMISSION OF PREMIER ENCLOSURE SYSTEMS.

DRAWING NO
TSF-17XX-XX
 TITLE
TRIM SLOPED FRAME - 22" W

FINISH
POWDER COAT
 MATERIAL
14 GA STEEL

REV DATE
10/07/13
SHEET 1 OF 1